



Einbaurahmen Aufkeil




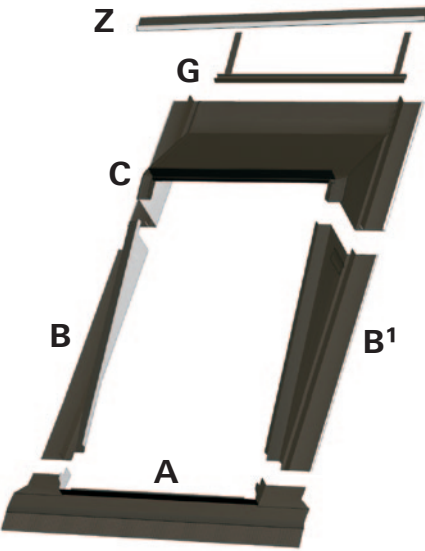
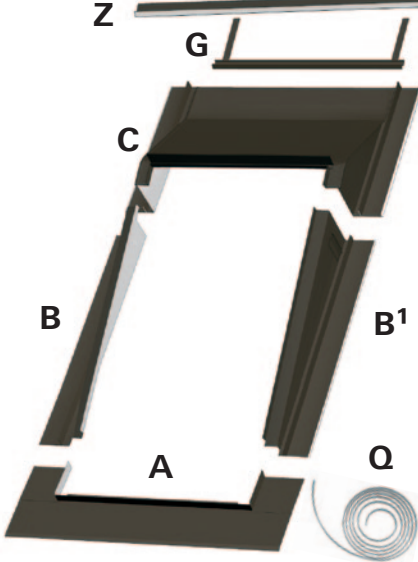
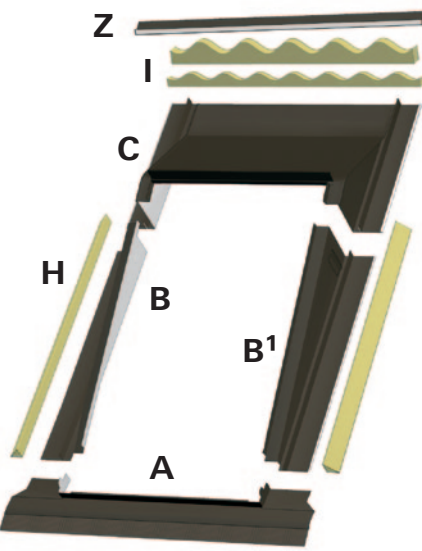




Assambling frame kerb flashing



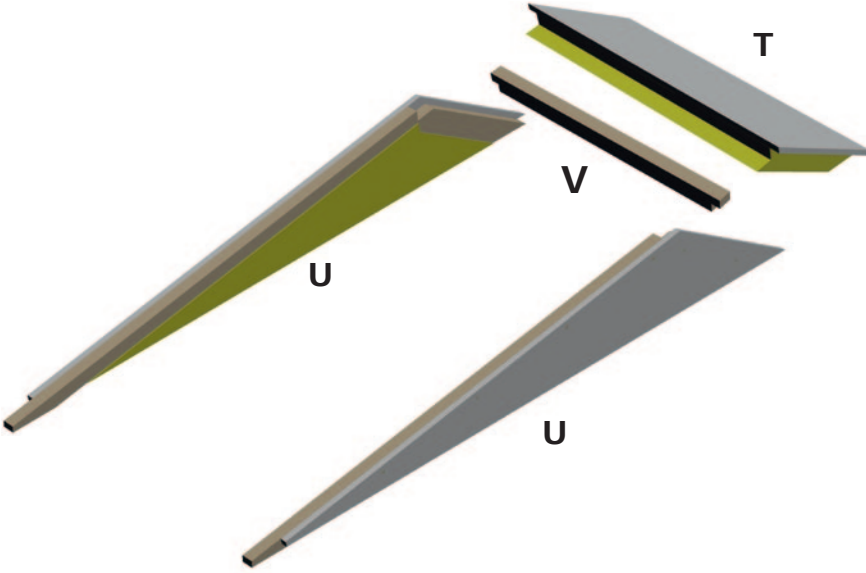
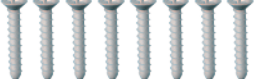
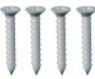

ERA Rx WD ZIE, SDS, WEL

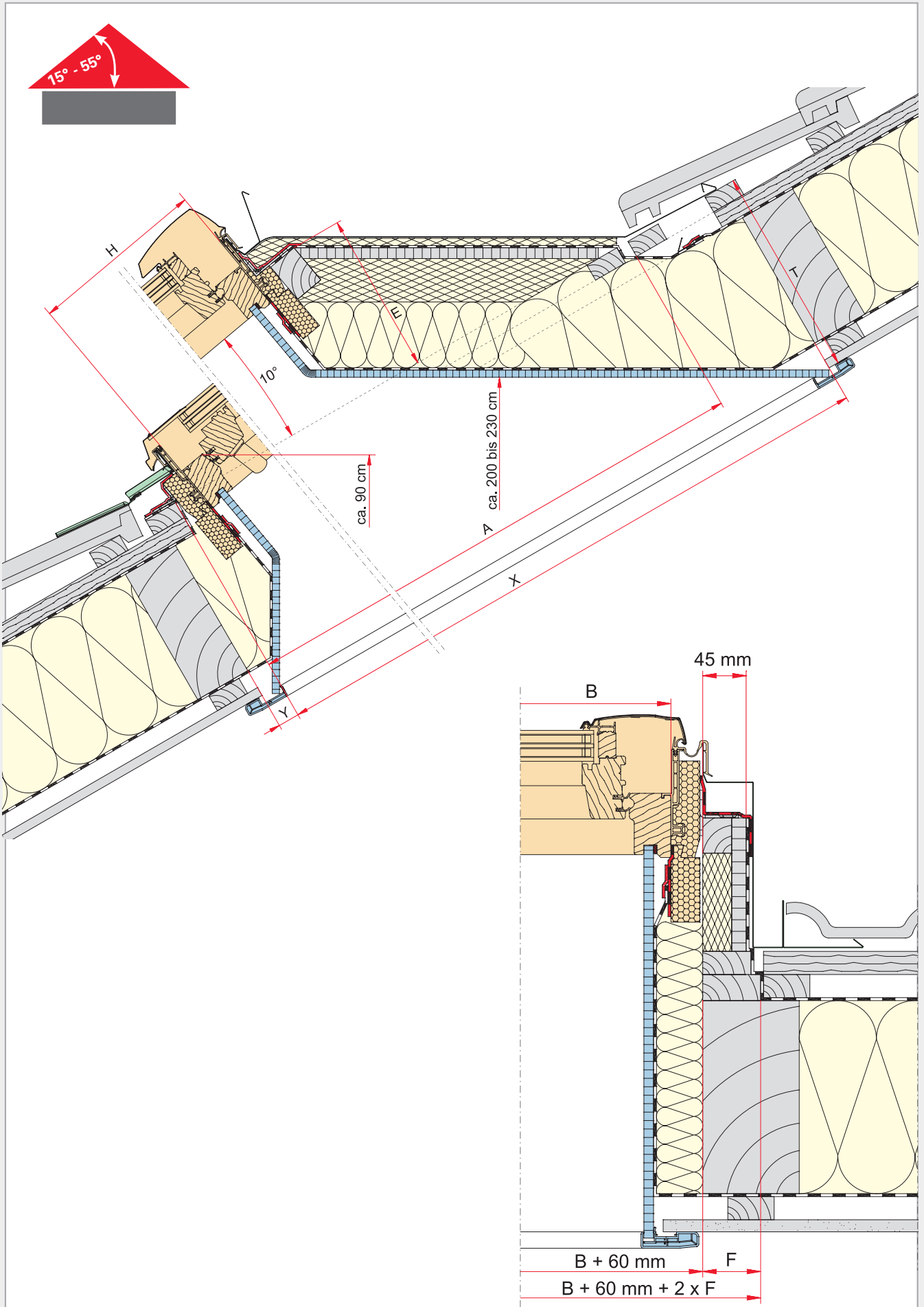




EAK ZIE		EAK SDS		EAK WEL	
					
D 6x	E 14x	R4/R7: F 2x	R6/R8 ≤ 07/xx: R 2x ≥ 09/xx: R 3x		
					

EBR Rx WD ZIE/SDS/WEL

			
K 8x (ø5 x100)	P 4x (ø4,5 x70)	O 6x (ø4 x40)	
			



		15°	20°	25°	30°	35°	40°	45°
T = 260 mm	Y	0	0	0	0	15	30	50
T = 280 mm	Y	0	0	0	10	30	50	70
T = 300 mm	Y	0	0	0	20	40	65	90
T = 320 mm	Y	0	0	10	30	55	80	110
T = 340 mm	Y	0	0	20	45	70	100	130
T = 360 mm	Y	0	10	30	55	85	115	150
T = 380 mm	Y	0	15	40	70	100	130	170
T = 400 mm	Y	0	23	50	80	110	150	190

H = 1400

		15° - 25°	30°	35°	40°	45°
T = 260 mm	X	2180	2045	1935	1850	1780
T = 280 mm	X	2215	2080	1960	1870	1800
T = 300 mm	X	2250	2115	1990	1895	1820
T = 320 mm	X	2285	2150	2020	1920	1840
T = 340 mm	X	2285	2185	2050	1945	1860
T = 360 mm	X	2285	2220	2080	1970	1880
T = 380 mm	X	2285	2255	2105	1990	1900
T = 400 mm	X	2285	2290	2135	2015	1920

H = 780

		15° - 25°	30°	35°	40°	45°
T = 260 mm	X	1385	1245	1170	1110	1060
T = 280 mm	X	1420	1280	1200	1135	1080
T = 300 mm	X	1455	1315	1225	1155	1100
T = 320 mm	X	1490	1350	1255	1180	1120
T = 340 mm	X	1525	1385	1285	1205	1140
T = 360 mm	X	1560	1420	1315	1230	1160
T = 380 mm	X	1560	1455	1345	1255	1180
T = 400 mm	X	1560	1490	1370	1275	1200

H = 1600

		15° - 25°	30°	35°	40°	45°
T = 260 mm	X	2440	2300	2180	2085	2010
T = 280 mm	X	2475	2335	2210	2110	2030
T = 300 mm	X	2510	2370	2240	2135	2050
T = 320 mm	X	2545	2405	2265	2160	2070
T = 340 mm	X	2580	2440	2295	2180	2090
T = 360 mm	X	2615	2475	2325	2205	2110
T = 380 mm	X	2615	2510	2355	2230	2130
T = 400 mm	X	2615	2545	2385	2255	2150

H = 980

		15° - 25°	30°	35°	40°	45°
T = 260 mm	X	1645	1505	1415	1345	1290
T = 280 mm	X	1680	1540	1445	1370	1310
T = 300 mm	X	1715	1575	1475	1395	1330
T = 320 mm	X	1750	1610	1500	1420	1350
T = 340 mm	X	1780	1645	1530	1445	1370
T = 360 mm	X	1815	1680	1560	1465	1390
T = 380 mm	X	1820	1715	1590	1490	1410
T = 400 mm	X	1820	1750	1620	1515	1430

H = 1800

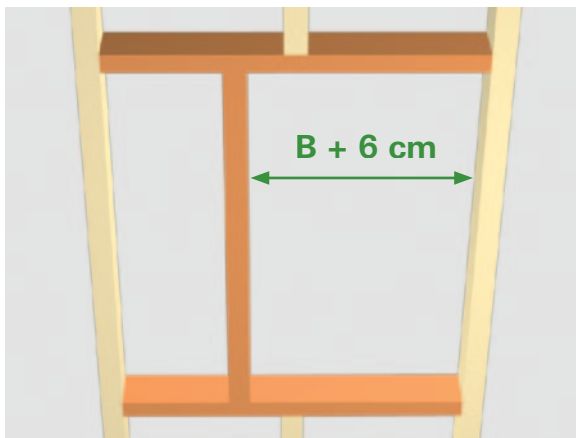
		15° - 25°	30°	35°	40°	45°
T = 260 mm	X	2695	2560	2425	2325	2240
T = 280 mm	X	2730	2595	2455	2350	2260
T = 300 mm	X	2765	2630	2485	2370	2280
T = 320 mm	X	2800	2665	2515	2395	2300
T = 340 mm	X	2800	2700	2545	2420	2320
T = 360 mm	X	2800	2735	2570	2445	2340
T = 380 mm	X	2800	2770	2600	2470	2360
T = 400 mm	X	2800	2805	2630	2490	2380

H = 1180

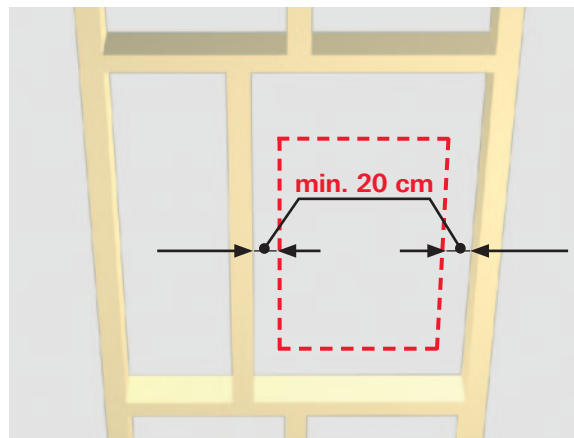
		15° - 25°	30°	35°	40°	45°
T = 260 mm	X	1900	1760	1660	1585	1525
T = 280 mm	X	1935	1795	1690	1610	1545
T = 300 mm	X	1970	1830	1720	1635	1565
T = 320 mm	X	2005	1865	1750	1660	1585
T = 340 mm	X	2040	1900	1780	1680	1605
T = 360 mm	X	2075	1935	1805	1705	1625
T = 380 mm	X	2075	1970	1835	1730	1645
T = 400 mm	X	2075	2005	1865	1755	1665

WDF	xx/07	xx/09	xx/11	xx/14	xx/16	xx/18
H mm	780	980	1180	1400	1600	1800
E mm	155	185	220	260	295	330
A mm	1170	1430	1680	1970	2220	2480

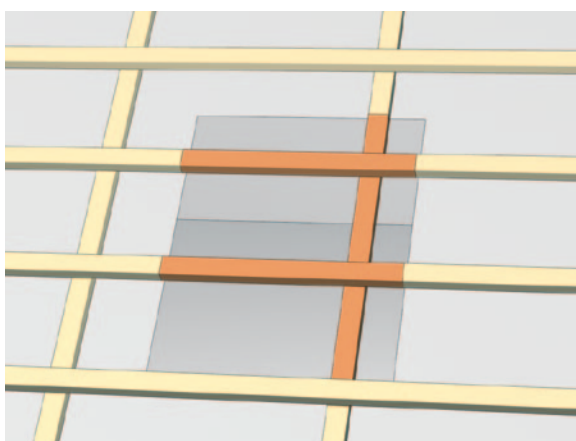
1



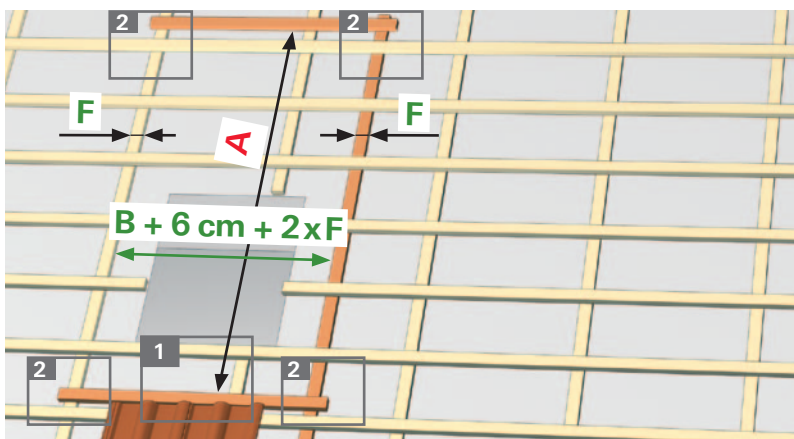
2



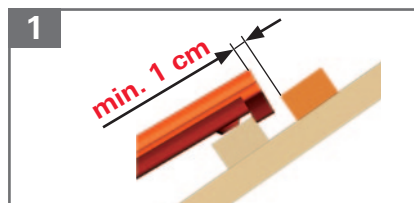
3



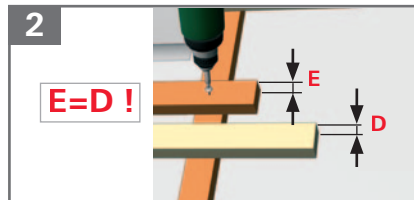
4



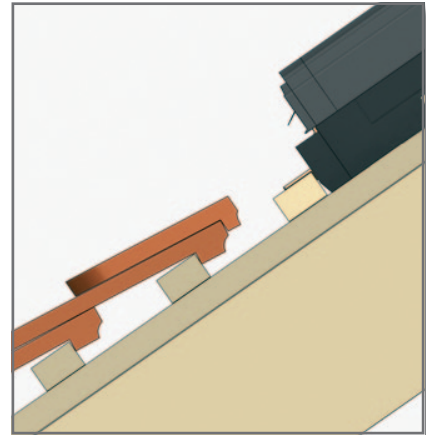
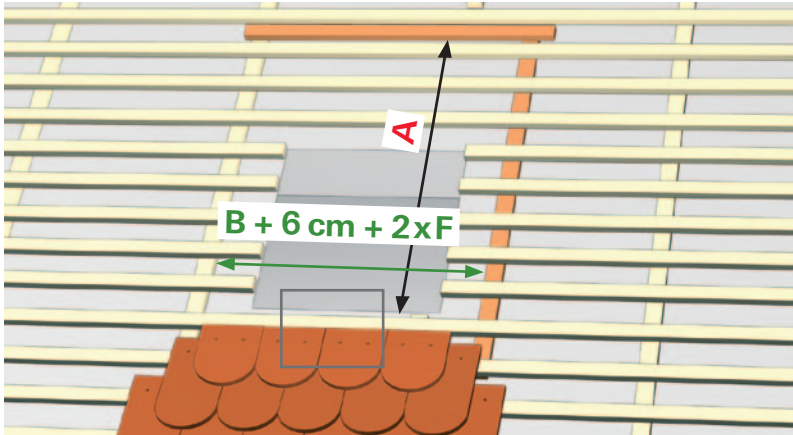
1



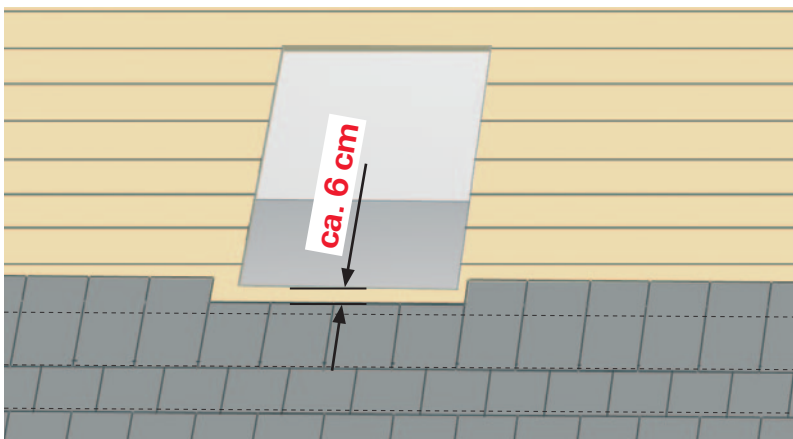
2



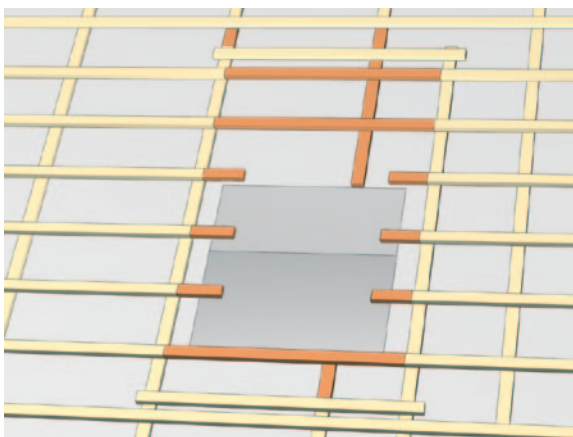
A EAK SDS



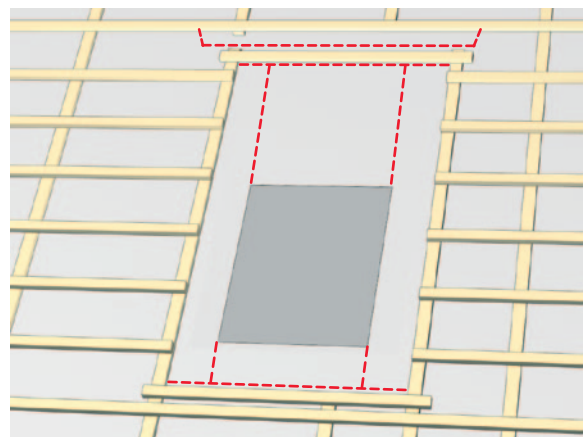
B EAK SDS



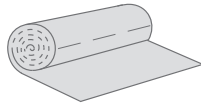
5



6

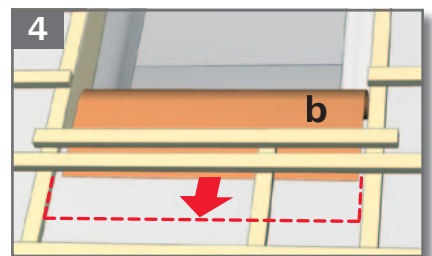
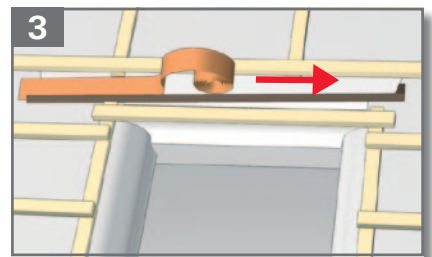
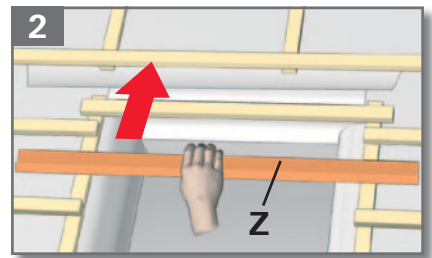
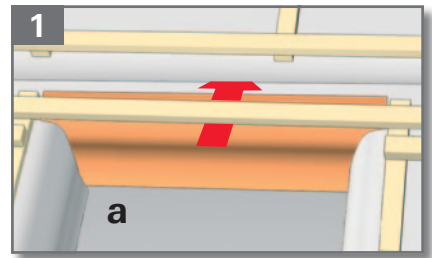
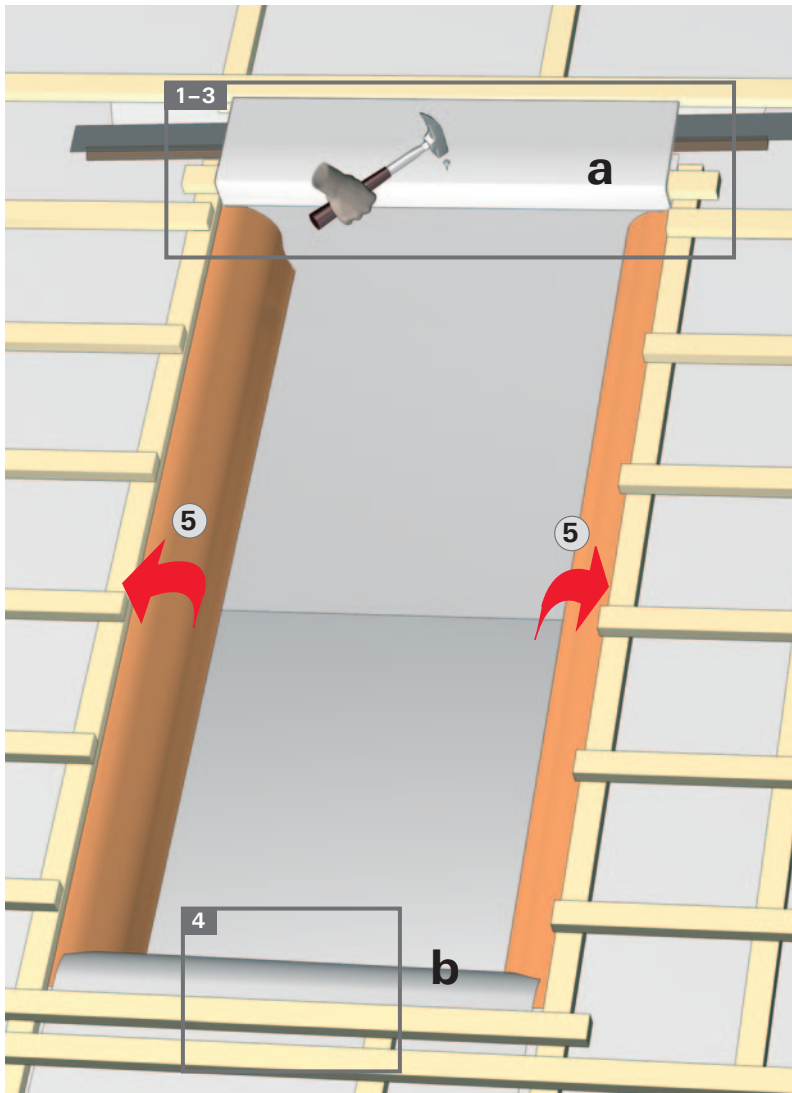


7

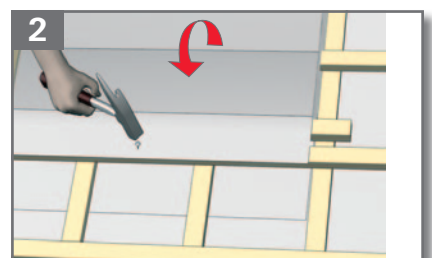
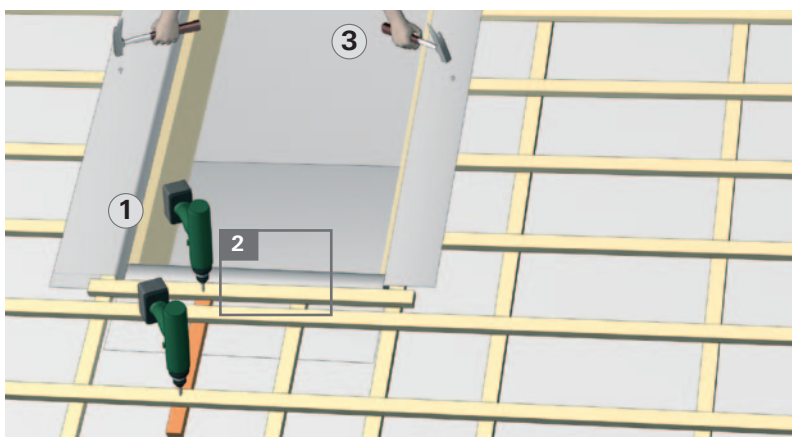


min. 40 cm min. 50 cm

b



8



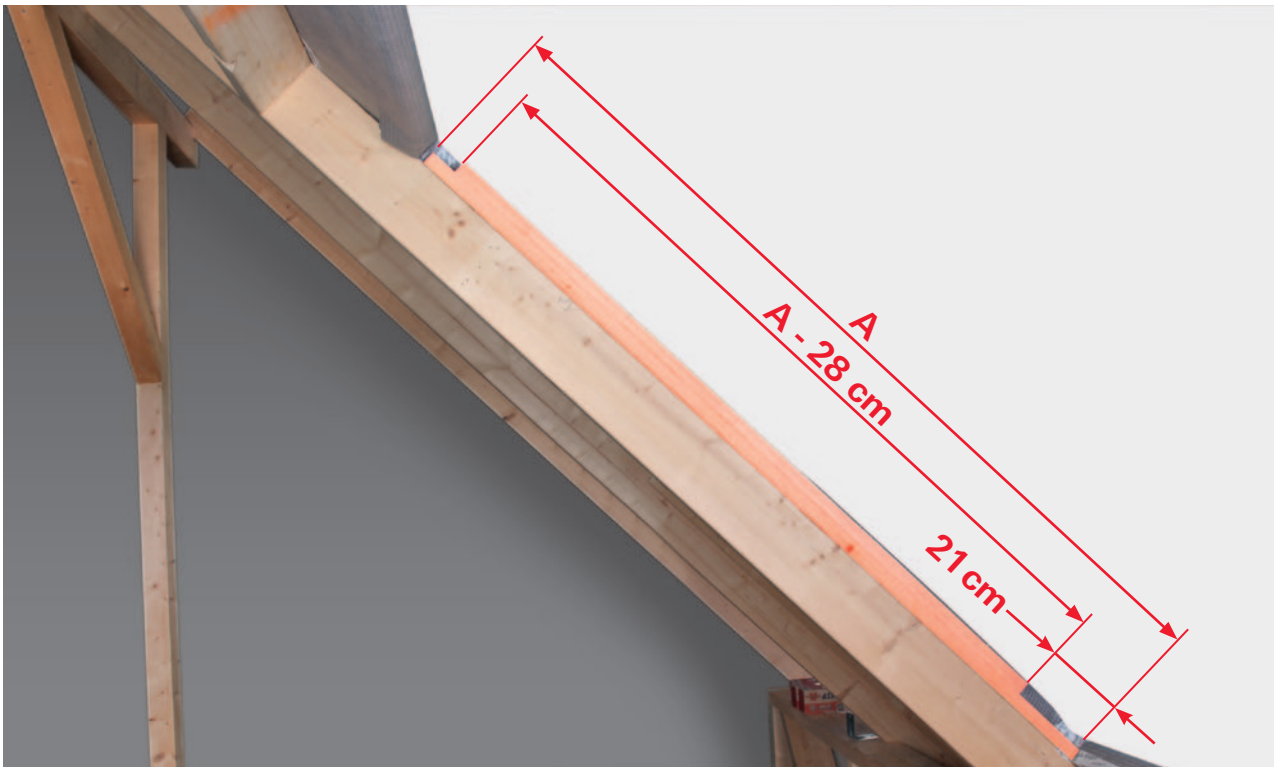
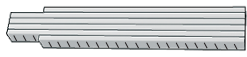
9



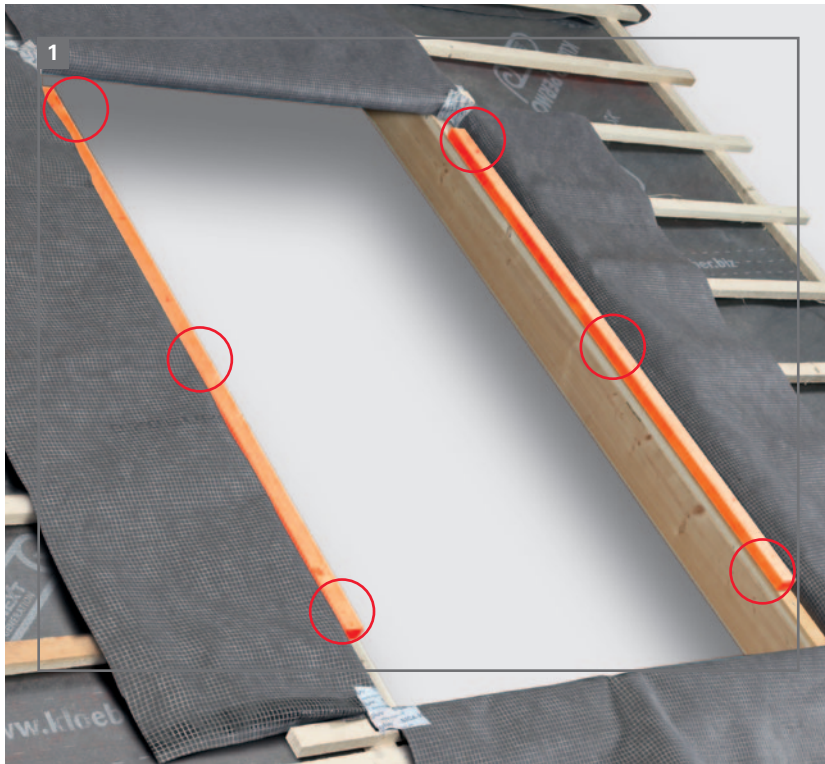
10



11



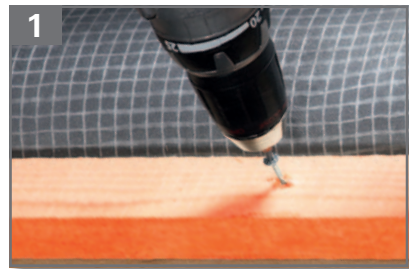
12



13

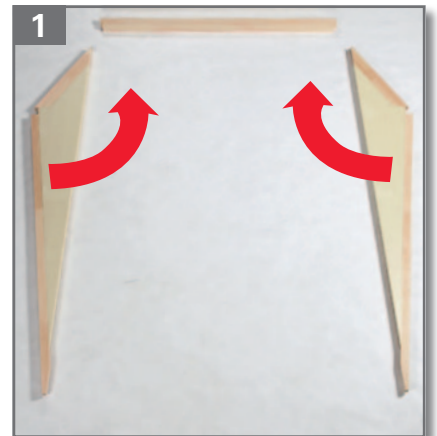
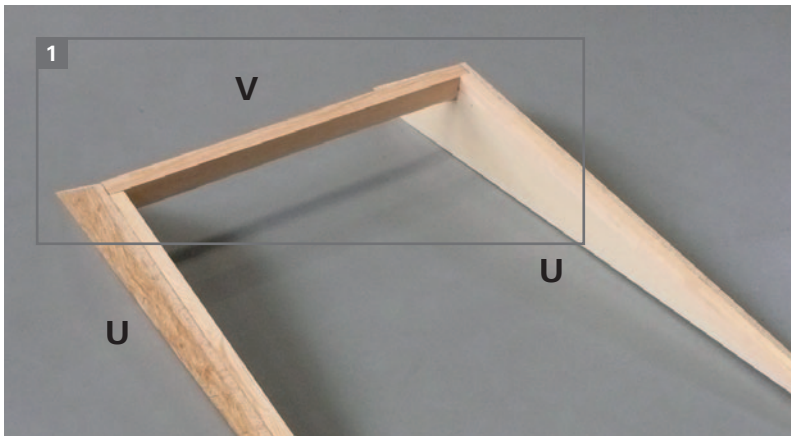
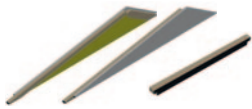


1

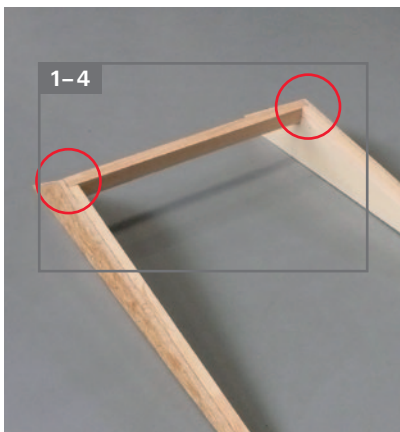


14 - 16

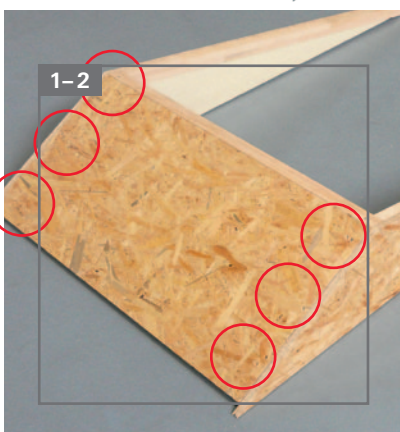
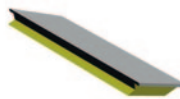
14



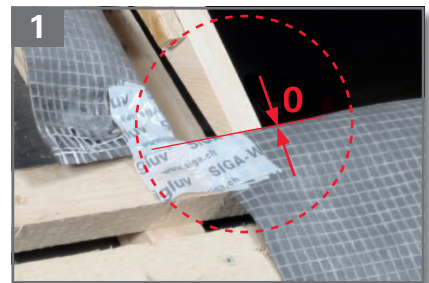
15



16



17



18



K 8x
ø5 x100

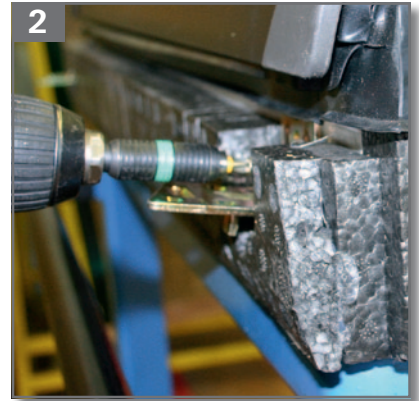
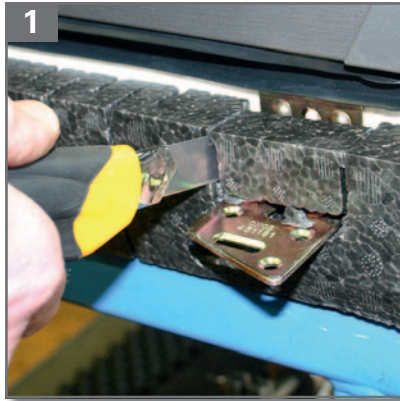
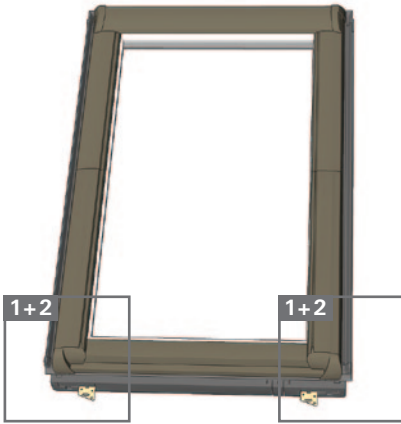


19

R4/R7



F 2x



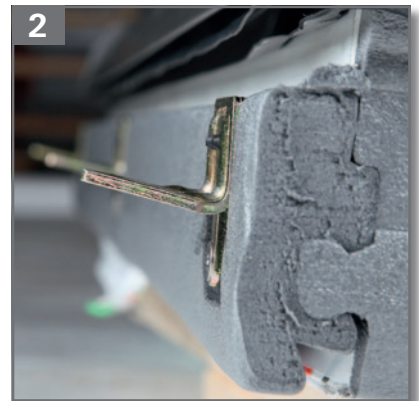
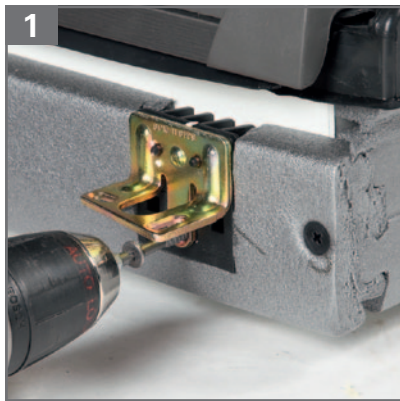
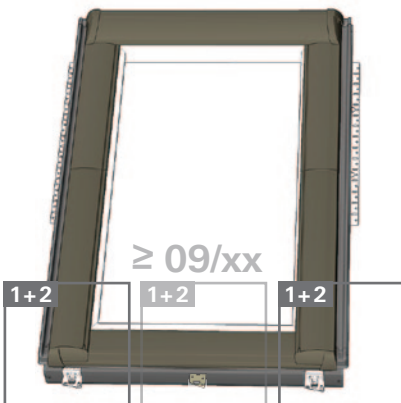
19

R6/R8



≤ 07/xx: R 2x

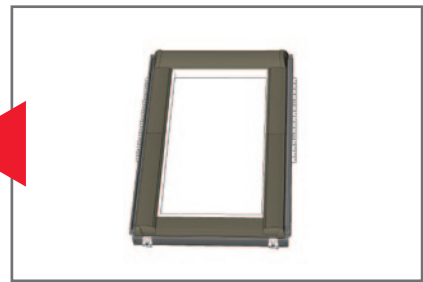
≥ 09/xx: R 3x



20



21



22

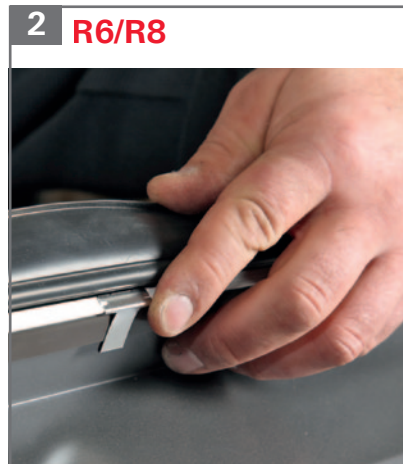
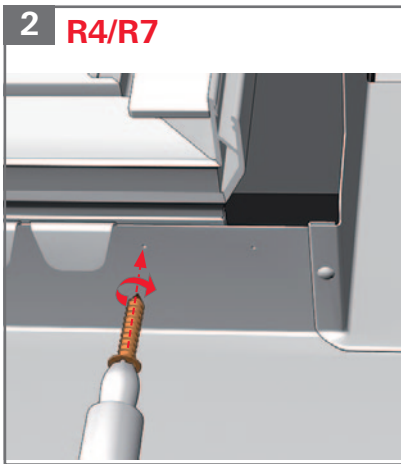
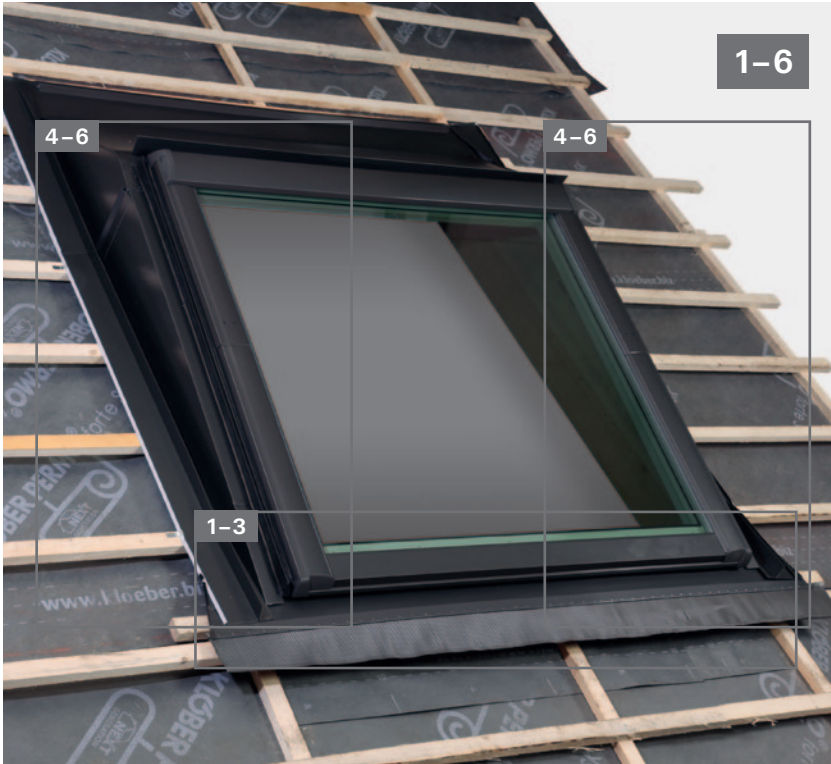


23



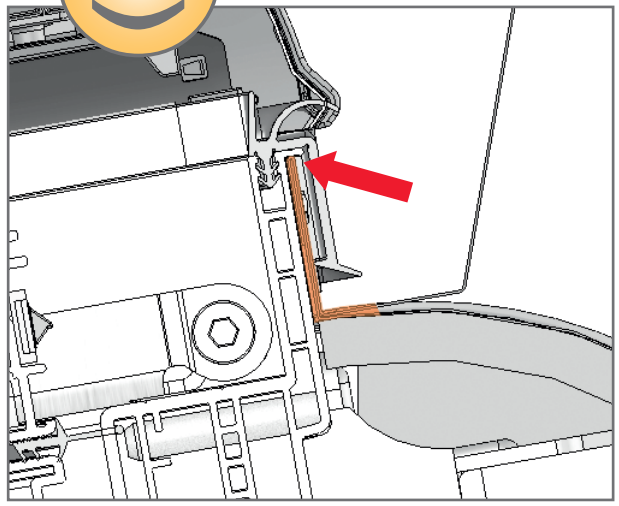
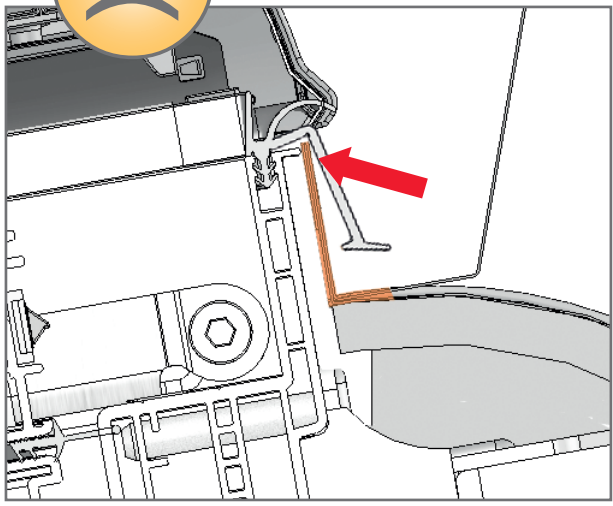


24

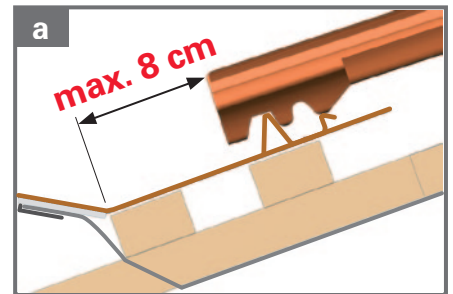




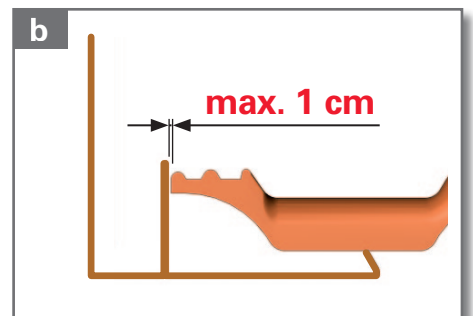
R6/R8



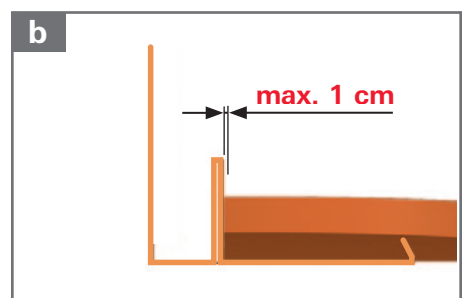
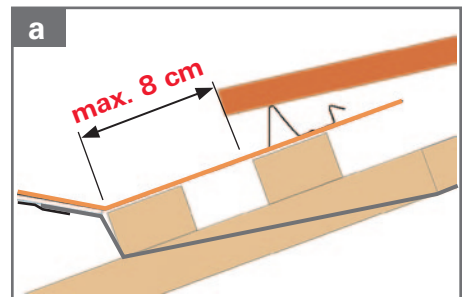
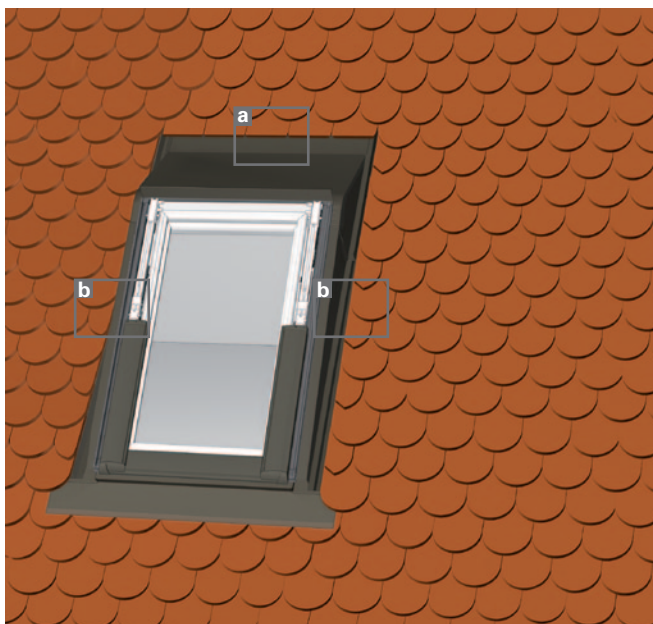
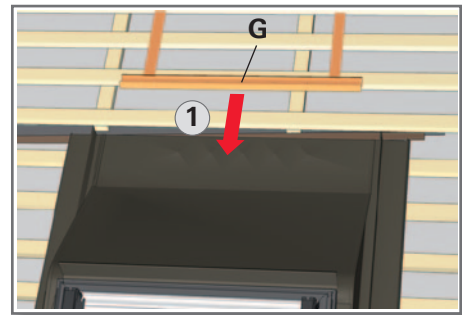
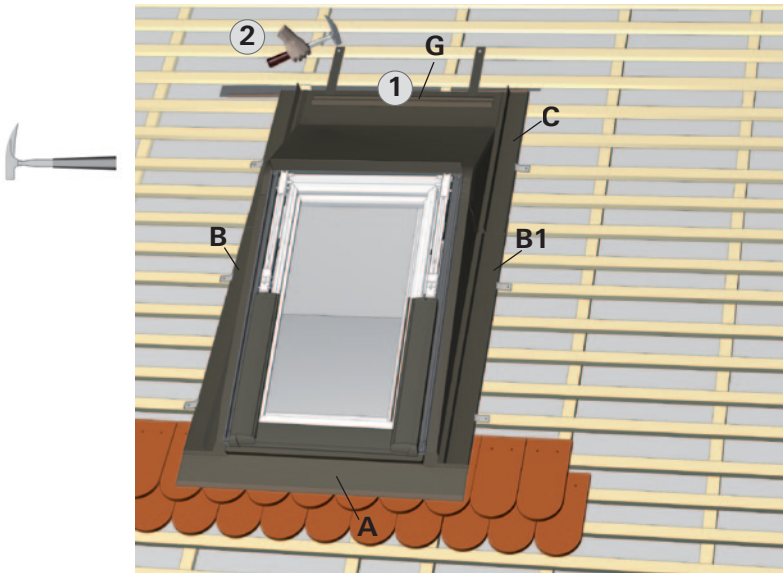
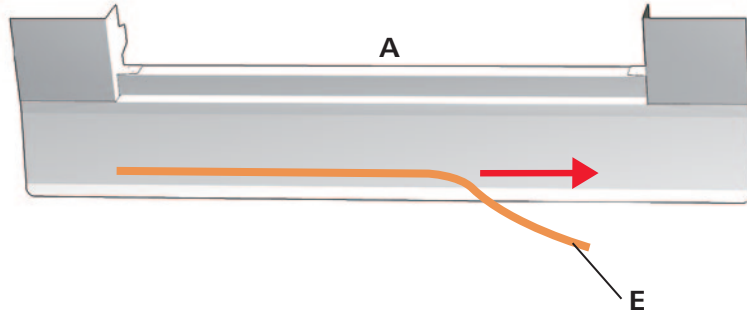
25



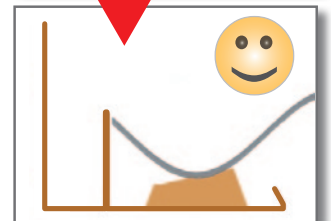
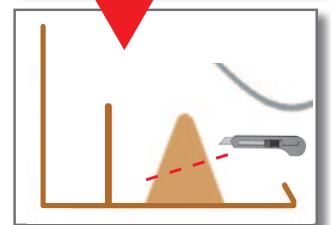
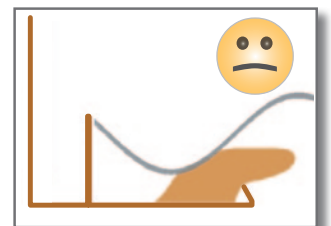
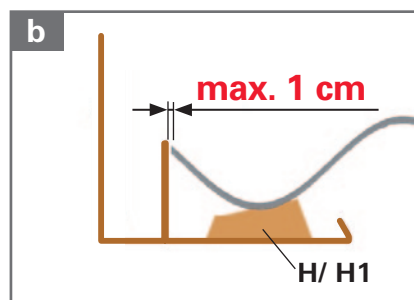
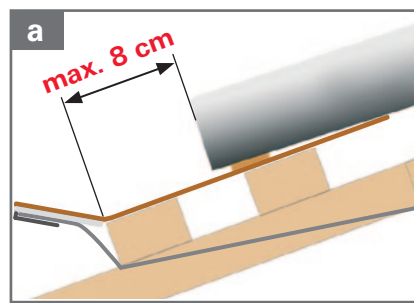
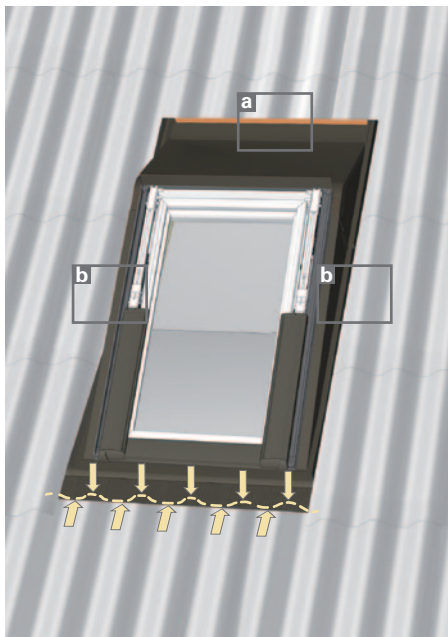
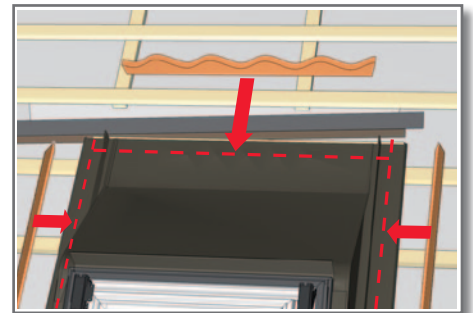
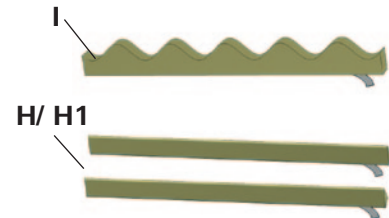
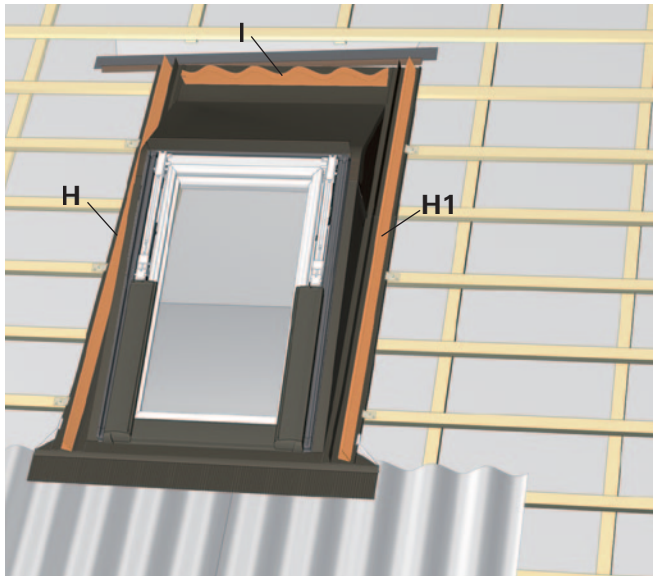
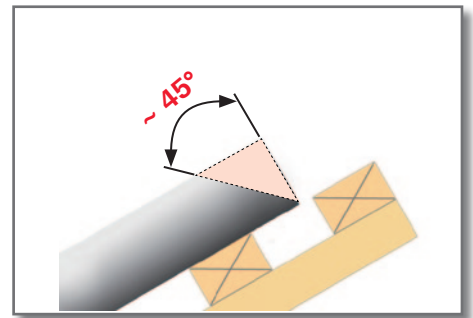
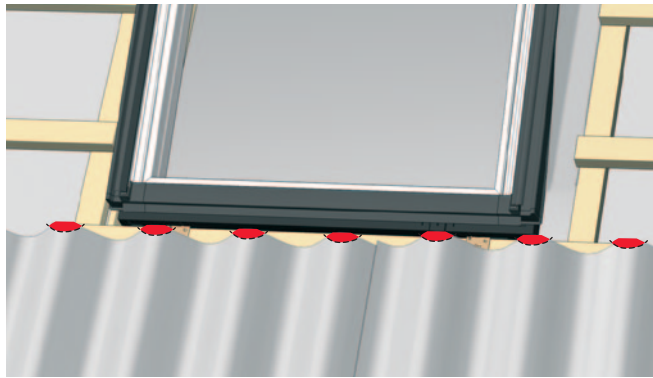
26



24 A



24 B





☎ +49 (0)1805 90 50 51*
 ☎ +49 (0)1805 90 40 51
www.roto-frank.com



☎ +43 (0)2 75 42 11 99
 ☎ +43 (0)2 75 42 11 99 50
www.roto-frank.at | .si



☎ +41 (0)44 267 47 47
 ☎ +41 (0)44 267 47 46
www.roto-dachfenster.ch



☎ +33 (0)387 29 24 30
 ☎ +33 (0)387 91 49 01
www.roto-frank.fr



☎ +44 (0) 1788 558 600
 ☎ +44 (0) 1788 558 606
www.roto-frank.co.uk



☎ +353 (0)6 75 07 00
 ☎ +353 (0)6 73 46 31
www.careyglass.com



☎ + 32 (0)67 89 41 30
 ☎ + 32 (0)67 89 41 72
www.roto-frank.be



☎ + 31 (0)800 0232 114
 ☎ + 31 (0)800 0232 116
www.roto-frank.nl



ROTHISPANIA S. L. U.
 ☎ +34 98 152 69 39
www.rototejado.com



☎ (+351) 236 218 072
 ☎ (+351) 236 215 289
www.imporjan.com



☎ +48 81 855 05 22-25
 ☎ +48 81 855 05 28
www.roto.pl



MIZOL LTD
 ☎ +38 044 566 73 37
 ☎ +38 044 566 78 78
www.roto.ua



☎ +7 495 287 35 20
 Kaliningrad
 ☎ +7 906 234 88 88
 ☎ +7 495 287 35 24
www.roto.ru



VTI-Invest
 ☎ +375 17 258 54 05
 ☎ +375 17 258 57 65
 ☎ +375 17 258 81 71
www.roto.by



☎ +359 889 93 96 96
 ☎ +359 32 55 01 99
www.buldach.com



☎ +420 272 651 428
 ☎ +420 271 750 187
www.roto-frank.cz | .sk



☎ +36 99 511 686/687
 ☎ +36 99 511 688
www.roto.hu



☎ +39 0421 618 211
 ☎ +39 0421 618 455
www.roto-frank.it



☎ +40 31 2281 5 86
 ☎ +40 31 2281 5 89
www.roto-romania.ro



☎ +30 231 0796 950
 ☎ +30 231 0796 783
www.eurotechnica.gr



rotoinfo.ee@roto-frank.com
www.roto.ee



rotoinfo.lv@roto-frank.com
www.roto.lv



info.lt@roto-frank.com
www.roto.lt



☎ +38 513 490 360
www.supera.hr



☎ + 90 216 57 39 692
 ☎ + 90 216 57 23 148

* 0,14 EUR / Min. aus dem dt. Festnetz. Mobilfunkpreise können abweichen.